

COMPACT

Stackable Incubator Shaker with Magnetic Drive and CO2 Controller

Stackable,
Space-Saving
Design



COMPACT Stackable Incubator Shaker with Magnetic Drive and CO2 Controller

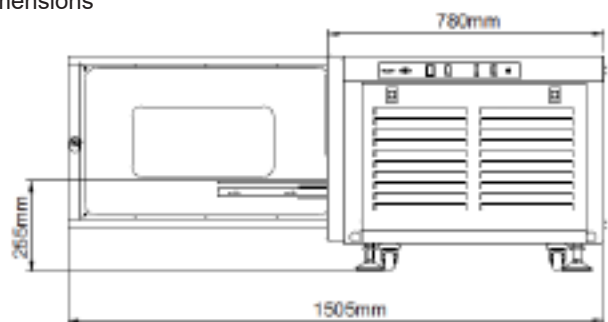
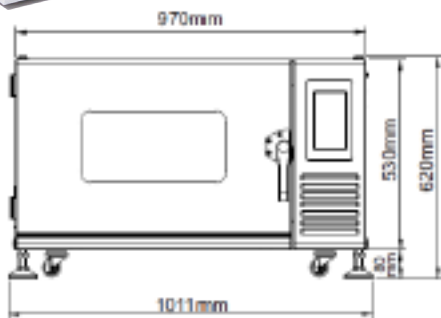
- Magnetic Drive Motor - more reliable, low maintenance
- Stackable, Space-Saving Design - up to 3 levels
- Triple Eccentric Drive
- Large LCD Color Display Control Panel - 7 inches
- Built-in Humidity Box

Compact, Stackable Incubator Shakers with Magnetic Drives, CO2 Controllers and Touch Screens

Part No.	Description	Price
CLS-2542-011	Single, 190L	call
CLS-2542-012	Double, 190L	call
CLS-2542-013	Triple, 190L	call

See our website for more information and complete specifications.

Single Unit Dimensions



T 1.800.843.1794

F 1.800.922.4361

www.cglifesciences.com

tech@cglifesciences.com



Compact Stackable Incubator Shaker Specifications - CLS-2542-series

Platform Dimensions	550 x 470mm
Maximum Clamp Capacity	50mL x 72 / 100mL x 30 / 150mL x 30 / 200mL x 30 / 250mL x 30 / 500mL x 17 / 1000mL x 12 / 2000mL x 8 / 5000mL (Thomson) x 4
Maximum Sticky Mat	50mL x 72 / 100mL x 53 / 150mL x 41 / 200mL x 32 / 250mL x 30 / 500mL x 20 / 1000mL x 12 / 2000mL x 8 / 5000mL (Thomson) x 4
Capacity	190L
Max. Load	10kg
Temp. Range	Room Temp. Minus 18°C~60°C (Lowest Temp. is 4°C)
Temp. Accuracy / Uniformity	±0.1°C / ±0.5°C (@37°C)
Speed / Speed Accuracy	0 (Stop), 30~300rpm / ±1rpm
Magnetic Driver / Orbit Diameter	YES / 25mm (1 inch)
CO2 Sensor / Range / Accuracy	IR / 0~20% / ±0.1%
Recover Time After Open Door 30s on Temp.	≤6min (@37°C)
Recover Time After Open Door 30s on CO2	≤6min (@5%)
RH Type	Evapor Naturally
Max. Humidity	95%
Programming Numbers	12 Sections
Illumination	Both of Side Lamps
Disinfection	Both of Sides UV Lamps
Door Open Direction	Leftward
Protect Set Parameters	Password Protect
Date Curve Display	Temp. Curve, Speed Curve, CO2 Curve, RH Curve
Display	7" Color Capacitance Touch Screen
Timer	0~999h 59min
USB Drive Download	YES
Display the Date	In 7 Days
Date Store Types	More Than 912 Days
Date Store Time	1 Min
Date Store Types	Time, Temp, Speed, RH, Machine Status
Automatic Defrost	YES
Auto-Close Screen	YES
Auto-Lock	YES
Third Platform High	1315mm
Platform with Rails	YES
Noise Level	≤55dB (In Refrigerating)
Water Sparge Resistant	YES
Driver	Magnetic Driver
Interface Languages	English or Chinese
Auto-Run After Power Recovery	YES
Heat Power / Cool Power	≤600W / 70~180W
Power / Power Supply	≤780W / AC110V±22V, 50Hz/60Hz
RH Control (Option)	10%~95% Above RH (Option)
Mobile Monitor and Control by WiFi (Option)	Option
PC Monitor and Control by RS485 (Option)	Option
Net Weight	170kg
Internal / External Dimensions	654 x 605 x 303mm / 970 x 780 x (530+80 feet high) mm