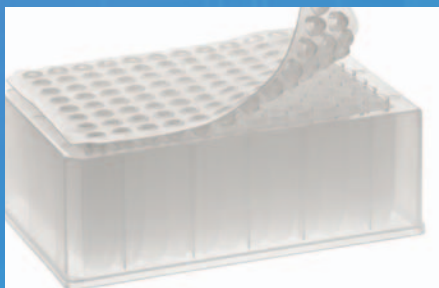
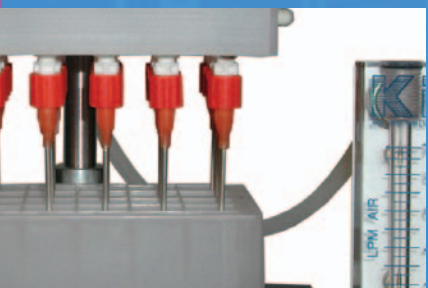




2013 TOOLS FOR PARALLEL SYNTHESIS



CHEMGLASS LIFE SCIENCES

3800 North Mill Road • Vineland NJ 08360

U.S. and Canada phone: 1-800-843-1794 • Fax: 1-800-922-4361
customer-service@cglifesciences.com • www.cglifesciences.com



Chemglass Life Sciences LLC, is a woman-owned business, established in 2009. We are the distribution arm for Chemglass, Inc. manufactured scientific and chemistry products. Chemglass Life Sciences also carries a complete line of chromatography vials/closures and cell/tissue culture products. Our ever-increasing product lines will keep us on the forefront of scientific innovation.

Chemglass Life Sciences will continue the tradition of excellence that has made Chemglass, Inc. products an integral part of chemistry performed in laboratories throughout the world. We will continue to provide the outstanding quality and service that you have come to expect.

In no way does the formation of this new company compromise the quality of the products or goodwill that Chemglass, Inc. has achieved over the past 65 years in the research community.

Two Locations Over 116,000 square feet





INDEX

96 Well Reaction Plates	19-20	Purification Tower	5-6
Adapter, Heater Block	4	Reaction Blocks	3, 9
Adapters, Glass	13-15, 25	Spatulas	21-22
Culture Tubes	25	SPE Columns	7
Evaporator Block	3	Spin Bars	22
Evaporator Manifold	4	Syringe Filters	24
Funnels, Disposable	16	Syringes	23
Hot Plate Stirrer	9-12	Vial Adapter	17
Multi-Vial Block	3	Vial Funnel	17
OptiBlock	1-2	Vials	26-32
Pie Blocks	8	Weighing Dishes	18
Pipettes	20	Weighing Funnels	18

ORDERING INFORMATION:

DISCOUNTS / PRICES / TERMS:

Prices in this online catalog are list prices and they are current at the time of posting. Please call for your discount. NOTE: All prices are subject to change without notice.

SHIPMENTS:

Most of the items listed in this online catalog are in stock and available for immediate shipment. In the event that your order cannot be filled completely, a partial shipment will be made with the backordered items shipped shortly. Unless otherwise instructed we will ship UPS or FedEx. NOTE: If you desire your order sent in one shipment, please specify this when placing your order.

RETURNS:

Please do not return any material without our consent. If any material is to be returned, please contact us at the above toll-free numbers to receive authorization. Chemglass Life Sciences cannot be responsible for material returned without our permission.

SHORTAGES:

In the event that the quantity and/or material received does not agree with the items ordered, notify us immediately. NOTE: Claims or shortages must be made within 10 working days of receipt of shipment.

SPECIAL ITEMS:

We would be pleased to quote on any material requirements you might have that are not listed in the online catalog. Please contact technical service for a price quotation.

SPECIFICATIONS:

Photographs and illustrations in this catalog represent the products as described in the text and as specified by the dimensions provided. Chemglass Life Sciences reserves the right to modify or change these specifications if warranted.

TRADEMARKS: SmartSpatulas® - Investigen; Multi-Tier™, OptiMag, OptiChem® and OptiBlock - Chemglass Life Sciences.



OP-5000 OPTIBLOCK PARALLEL SYNTHESIS REACTION BLOCK

The OPTIBLOCK is a simple, easy to use tool for medicinal and process chemists. The block accepts up to eight different vial sizes and fits directly onto a hot plate stirrer having a 135mm top plate diameter.



OP-5000

Features:

- Seals Multiple Vessels Effectively
- Wide Range of Vessel Sizes
- Provides Syringe Access to all Vessels
- Works at Boiling Point
- Glove Box and Automation Friendly
- Uses Existing Hot Plate Stirrers
- Works with Aggressive Solvents

<u>Part Number</u>	<u>Description</u>	<u>Color</u>	<u>Price</u>
OP-5000-01	Locking Base Assembly ONLY	Black/Gold	650.00*
OP-5000-09	Top Locking Plate, 8 x 30mm, 96 Well	Green	190.00*
OP-5000-10	Top Locking Plate, 15 x 45mm, 1 Dram Vial	Purple	190.00*
OP-5000-12	Top Locking Plate, 17 x 60mm, 2 Dram Vial	Gold	190.00*
OP-5000-14	Top Locking Plate, 21 x 70mm, 4 Dram Vial	Red	190.00*
OP-5000-16	Top Locking Plate, 28 x 57mm, 20mL Vial	Blue	190.00*
OP-5000-17	Top Locking Plate, 28 x 70mm, 30mL Vial	Silver	190.00*
OP-5000-18	Top Locking Plate, 28 x 95mm, 40mL Vial	Orange	190.00*
OP-5000-19	Top Locking Plate, 0.5-2mL Tapered and 2-5mL Round Bottom Microwave Vial	Green	212.00*
OP-5000-20	Top Locking Plate, 10-20mL Microwave Vial	Turquoise	212.00*
OP-5000-60	Teflon Faced Silicone Septa Pads (Package of 10 each)		90.00*

START UP KIT:

Consists of blocks for our largest selling vials along with a locking base and corresponding top plates.

Components:

1 each	OP-5000-01	Locking Base Assembly
1 each	OP-5000-10	1 Dram (15 x 45mm) Top Plate
1 each	OP-5000-12	2 Dram (17 x 60mm) Top Plate
1 each	OP-5000-16	20mL (28 x 57mm) Top Plate
1 each	OP-6600-05	1 Dram, 24 Position Lower Block
1 each	OP-6600-07	2 Dram, 24 Position Lower Block
1 each	OP-6600-11	20mL, 11 Position Lower Block
20 each	OP-5000-60	Teflon Faced Silicone Septa

<u>Part Number</u>	<u>Price</u>
OP-5000-K1	1,500.00*

Designed and Developed in
Conjunction with
Dr. Jim Petersen, Amgen Inc.,
Thousand Oaks California.

* - Not Subject to Discount ◇ - Subject to Life Sciences Consumables Discount

Chemglass Life Sciences U.S. and Canada phone: 1-800-843-1794 • Fax: 1-800-922-4361 • customer-service@cglifesciences.com • www.cglifesciences.com

The Optiblock Parallel Synthesis Reaction Block is Simple to Use



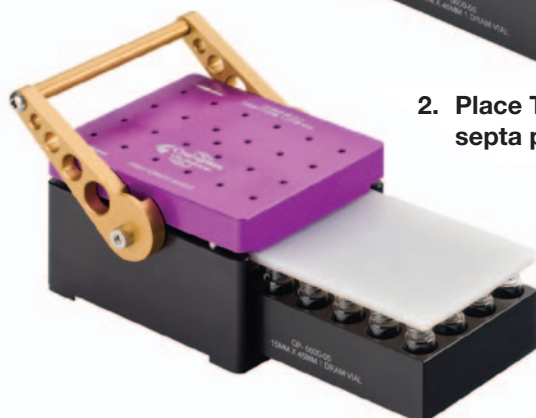
Made to fit any hot plate stirrer with 135mm top plate.



1. Assemble reaction materials in appropriate vessels.



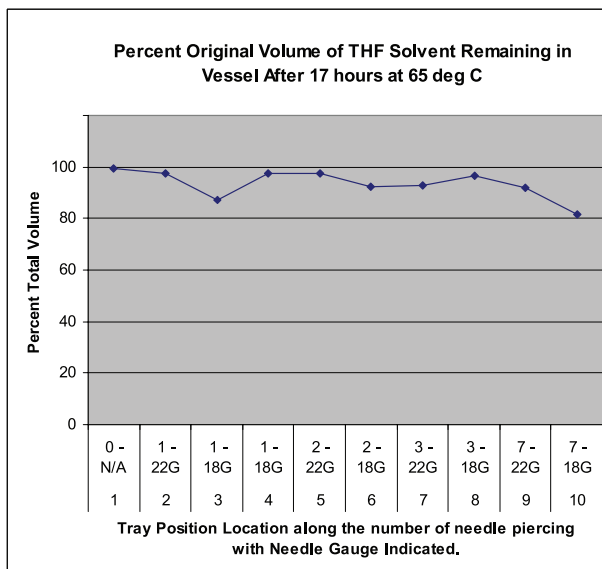
2. Place TFE/silicone septa pad on vessels.



3. Slide block with septa pad into Opti-Block.



4. Grasp handle and push down to effectively seal all vessels for synthesis.





OP-6600 BLOCKS VACUUM EVAPORATOR, OPTICHEM®

Reaction blocks for use in conjunction with the OP-5000 OptiBlock or with our OP-6700 hot plate stirrer adapter. Blocks can also be used in centrifugal vacuum evaporators. Constructed of aluminum, each block is hard coated for resistance to organic solvents and laser etched with the vial and or tube size.



OP-6600

Flat Bottom Vials:

Part Number	Vial Type & Capacity	Vial Dimensions OD x Height (mm)	# of Positions	Price
OP-6600-04	Shell Vial	8 x 30	96	169.50*
OP-6600-03	HPLC	12 x 32	48	152.00*
OP-6600-05	1 Dram (4mL)	15 x 45	24	152.00*
OP-6600-07	2 Dram (8mL)	17 x 60	24	152.00*
OP-6600-09	4 Dram (16mL)	21 x 70	15	152.00*
OP-6600-11	20 & 30mL Scintillation	28 x 57 & 28 x 70	11	152.00*
OP-6600-12	40 & 60mL Scintillation	28 x 70 & 28 x 95	11	195.50*

Haystack Sample Storage Vials:

Part Number	Vial Dimensions OD (mm)	# Of Positions	Price
OP-6600-18	14	24	153.00*

Microwave Vials:

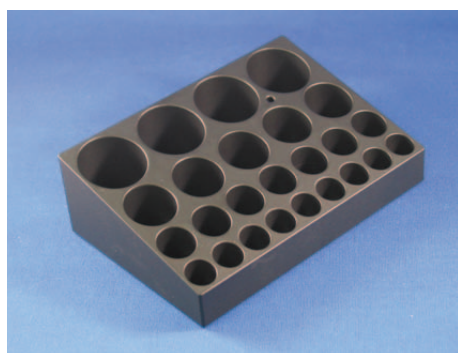


OP-6600-18

Part Number	Vial Type & Capacity	Vial Dimensions OD x Height (mm)	# Of Positions	Price
OP-6600-20	0.5-2mL Tapered	16 x 83	24	195.00*
OP-6600-21	2-5mL Round Bottom	16 x 83	24	195.00*
OP-6600-22	10-20mL Round Bottom	28 x 83	8	195.00*

Round Bottom Tubes:

Part Number	Tube Dimensions OD x Height (mm)	# Of Positions	Price
OP-6600-30	10 x 75	70	152.10*
OP-6600-34	12 x 75	40	152.10*
OP-6600-36	13 x 100	24	195.20*
OP-6600-38	16 x 100	24	195.20*
OP-6600-40	18 x 100	24	195.20*
OP-6600-42	25 x 100	12	195.20*



OP-6600-90

OP-6600 BLOCK, MULTI-VIAL, OPTICHEM®

Block is an easy way to hold vials while transferring solutions or solids. It can also be used in centrifugal vacuum evaporators. Constructed of aluminum, each block is black hard coated for resistance to organic solvents. Block is manufactured to hold the following:

Qty	Vial Capacity/Type
4	20-40mL Scintillation Vials
5	2 Dram Vials or 2-5mL Microwave Vials
7	1 Dram Vials
9	12 x 32mm Autosampler Vials

Part Number	Description	Price
OP-6600-90	OptiChem® Multi-Vial Block	162.80*

* - Not Subject to Discount

OP-6700 HEATER BLOCK ADAPTER, EVAPORATOR BLOCKS, OPTICHEM®

OptiChem® Heater Block adapter is designed to fit all hot plate stirrers with a 135mm diameter top plate. Lower edge of block covers side of top plate and prevents block from slipping, allowing for safe heating of your Chemglass or Genevac blocks. The innovative Teflon shield on the heating block keeps the exterior surface area at a temperature that is safe to touch. For example, the Teflon shield would be approximately 80°C on vials heated to 180°C. PLEASE NOTE: HEATER BLOCK ADAPTER IS DESIGNED FOR USE WITH ALL OP-6600 CENTRIFUGAL VACUUM EVAPORATOR BLOCKS.

- **User Safety: Teflon Shield Prevents Potential Burns And Provides A Safe Contact Area**
- **Fits All CG-1990 IKA® 135mm Diameter Round Hot Plate Stirrers and CGS-1990 OptiMag Hot Plate Stirrers**
- **Aluminum Construction Provides Excellent Heat Transfer And Does Not Interfere With The Magnetic Field**
- **Great Visibility Of The Reaction**
- **Excellent Heat Distribution**
- **Thermowell Is Provided For Insertion Of A Contact Thermometer Or PT100 Sensor**



OP-6700-01

NOTE: Hot plate stirrer not included. See CG-1990.

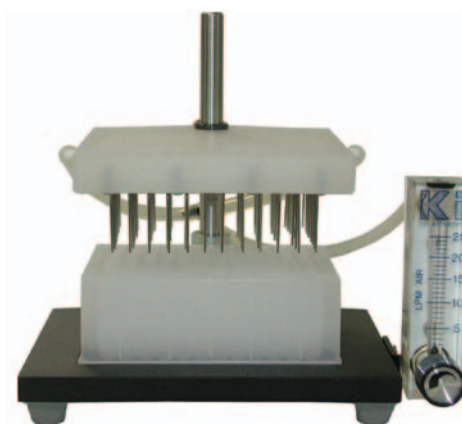
Part Number	Description	Price
OP-6700-01	Heater Block Adapter	445.00*

OP-5020 MANIFOLD, EVAPORATOR-CONCENTRATOR

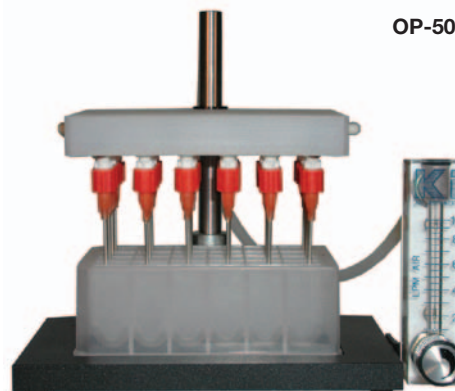
Manifold is a low cost solution for the concentration of product in 96, 48 or 24 well blocks. Delivers equal amounts of gas to each well to gently speed solvent evaporation. Needles are constructed of stainless steel. 96 well unit has the needed pressed into the block, while the 11, 15, 24 and 48 well unit has removable/replaceable needles. Manifold is constructed of polypropylene and the base is coated aluminum. Equipped with an adjustable flow meter for controlling gas flow into the manifold. Inlet is a 1/8" barbed fitting.

Part Number	Description	Price
OP-5020-01	Evaporator/Manifold System, 96 Well	760.00*
OP-5020-03	Evaporator/Manifold System, 48 Well	750.00*
OP-5020-05	Evaporator/Manifold System, 24 Well	750.00*
OP-5020-07	Evaporator/Manifold System, 15 Well	740.00*
OP-5020-09	Evaporator/Manifold System, 11 Well	740.00*

NOTE: EVAPORATOR MANIFOLDS ARE AVAILABLE ON A SPECIAL ORDER BASIS TO FIT ANY CONFIGURATION BLOCK. PLEASE CALL US FOR DETAILS.



OP-5020-01



OP-5020-05

* - Not Subject to Discount

Chemglass Life Sciences U.S. and Canada phone: 1-800-843-1794 • Fax: 1-800-922-4361 • customer-service@cglifesciences.com • www.cglifesciences.com



OP-6601 OPTI-CHEM PARALLEL PURIFICATION TOWER

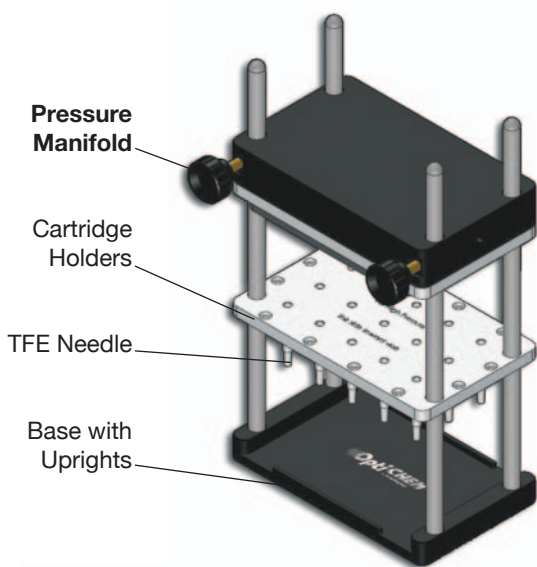
The Opti-Chem® Personal Parallel Purification System puts purification and work-up in the hands of every synthetic chemist with fast and reliable results. Designed to match the requirements of drug discovery applications, a variety of Opti-Chem® micro titer plate footprint collection blocks holding standard vials and tubes are available. These blocks are compatible with all centrifugal vacuum evaporators that use this common footprint, making going from purification to evaporation a snap. The Opti-Chem® Personal Parallel Purification Tower is constructed from high quality, inert materials allowing all common solvents and buffers to be used with standard filtration, SPE1, SS-LLE2 and silica packed columns.

Features & Benefits

- **Single or dual column stacking plates allows for expedient purification or workup**
- **Positive pressure manifold helps to increase solvent flow rates or to dry columns for solvent switching**
- **Accommodates 11, 15, 24 OptiChem® Blocks**
- **10mL tab-less packed columns available for high throughput purification & workup**



Single or Dual Column Stacking Plates Allow for Expedient Purification or Workup



Positive Pressure Manifold Helps to Increase Solvent Flow Rates or to Dry Columns for Solvent Switching.



Accommodates 11, 15 and 24 Position OP-6600 Blocks

OP-6601 PARALLEL PURIFICATION TOWER ORDERING INFORMATION:

Part Number: OP-6601-100 Price: \$535.71*

11 Position Parallel Purification Tower, to consist of the following:

2 ea. OP-6601-10 Cartridge Holder, 11 Position

2 pks. OP-6601-50 TFE Needles, 12 per pk.

1 ea. OP-6601-01 Base with Upright

(Note: Positive Pressure Manifold is not included in the above kit and must be ordered separately)

Part Number: OP-6601-102 Price: \$602.04*

15 Position Parallel Purification Tower, to consist of the following:

2 ea. OP-6601-11 Cartridge Holder, 15 Position

3 pks. OP-6601-50 TFE Needles, 12 per pk.

1 ea. OP-6601-01 Base with Uprights

(Note: Positive Pressure Manifold is not included in the above kit and must be ordered separately)

Part Number: OP-6601-104 Price: \$663.27*

24 Position Parallel Purification Tower, to consist of the following:

2 ea. OP-6601-12 Cartridge Holder, 24 Position

4 pks. OP-6601-50 TFE Needles, 12 per pk.

1 ea. OP-6601-01 Base with Uprights

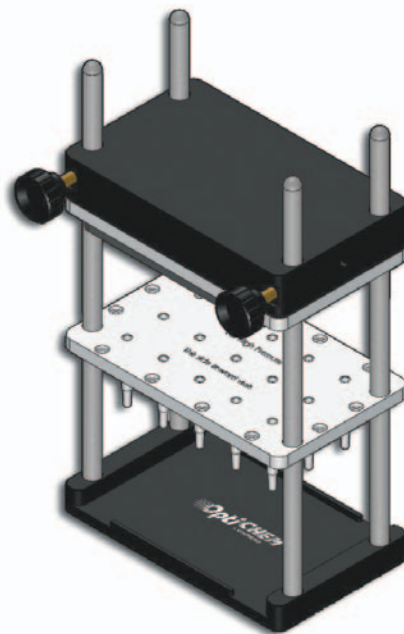
(Note: Positive Pressure Manifold is not included in the above kit and must be ordered separately)

Replacement Components:

<u>Part Number</u>	<u>Description</u>	<u>Price</u>
OP-6601-10	Cartridge Holder, 11 Position, without TFE Needles	86.20*
OP-6601-11	Cartridge Holder, 15 Position, without TFE Needles	86.20*
OP-6601-12	Cartridge Holder, 24 Position, without TFE Needles	86.20*
OP-6601-50	TFE Needle, package of 12	75.50*
OP-6601-01	Base with Uprights ONLY	235.00*

Optional Positive Pressure Manifolds: Note: Manifolds are supplied complete with the corresponding rubber gasket, and the required amount of TFE needles. Replacement needles and gaskets are also available separately.

<u>Part Number</u>	<u>Description</u>	<u>Price</u>
OP-6601-02	Pressure Manifold, 11 Position	361.00*
OP-6601-03	Pressure Manifold, 15 Position	409.00*
OP-6601-04	Pressure Manifold, 24 Position	457.90*
OP-6601-60	Rubber Gasket, 11 Position	13.00*
OP-6601-61	Rubber Gasket, 15 Position	13.00*
OP-6601-62	Rubber Gasket, 24 Position	13.00*



OP-6601-102

* - Not Subject to Discount

Chemglass Life Sciences U.S. and Canada phone: 1-800-843-1794 • Fax: 1-800-922-4361 • customer-service@cglifesciences.com • www.cglifesciences.com



OP-6601 10mL, FLANGELESS SPE COLUMNS:

<u>Part Number</u>	<u>Description</u>	<u>Price</u>
OP-6601-80	SPE Cartridge, Un-Packed with Frit, pk. of 100	81.30*

25um Non-Packed Column Applications:¹

- Removal of solid-supported reagents from reactions
- Recovery of solids (products, by-products, etc) from reaction mixtures
- Removal of solids prior to SPE or column purification to prevent column plugging
- Easily packed with drying agents to remove water from compounds or reaction mixtures prior to concentration or flash chromatography

<u>Part Number</u>	<u>Description</u>	<u>Price</u>
OP-6601-81	SPE Cartridge, 1000mg Silica, pk. of 24	116.90*

Silica Gel Packed Column Applications:²

- Used for separating non-polar or very polar impurities from moderately polar products
- Excellent for quick removal of very polar reagents or impurities before final column purification

<u>Part Number</u>	<u>Description</u>	<u>Price</u>
OP-6601-82	SPE Cartridge, 1000mg Diatomaceous Earth, pk. of 24	116.90*

DE (Diatomaceous Earth)Packed Column Applications:³

- Used for liquid-liquid extractions by retaining the aqueous phase first on the column then passing a non-water miscible organic solvent (either more or less dense) containing the reaction mixture through the column
- Used for removing water from quenched reactions
- Greatly reduces emulsion formation during extractions
- Excellent for simultaneous acidic and basic extractions when used in stacked mode

NOTE: Custom Packings are Available (C18, SAX, SCX, etc). Columns are also available in volumes other than 10mL) – Please Contact Chemglass for additional details.

Footnotes:

1. SPE = solid-phase extraction
2. SS-LLE= solid supported liquid-liquid extraction
3. DE (Diatomaceous Earth)

Diatomaceous earth is an inert material with a high surface area and high capacity for aqueous adsorption. This makes it an exceptional medium for solid supported liquid-liquid extraction with additional advantages such as:

- * No emulsion formation
- * No separatory funnels or glassware to clean
- * No need to add drying agents after extraction
- * Multiple column stacking for fast sample processing
- * Higher reproducibility than standard liquid/liquid extraction
- * Use existing liquid/liquid extraction methods
- * Easy to automate

The aqueous phase is added to the column to allow absorption onto the diatomaceous earth then the organic solvent mixture is added allowing the organic phase (lighter or heavier than water) to run through the column. The high surface area at the interface between the organic and aqueous phases increases efficiency and eliminates the possibility of emulsion formation. Further elution with more solvent elutes the organic compounds and the aqueous phase is retained on the column for disposal. Multiple columns with different aqueous phases can be stacked for faster throughput. Pressure or vacuum is not needed, as this will cause the aqueous layer to break through the frit.

For phase separation techniques, pass the aqueous and organic solvent mixture through the column to partition the layers. The organic layer will pass through the column with the aqueous being absorbed onto the diatomaceous earth media allowing for easy disposal.



OP-6601-80



OP-6601-82

* - Not Subject to Discount

CG-1991-P REACTION, PIE-BLOCK, SAFETY HOLDER

NEW reaction PIE-BLOCK is designed to fit directly on the CG-1990, CG-1990-T or CGS-1990 circular top hot plate stirrers (135mm Diameter). Versatile design of the safety pie plate holder allows up to four pie wedges on one hot plate and securely locks them together. All wedges are anodized Aluminum and color coded for quick and easy identification. A drilled thermowell is provided for insertion of the CG-1995-01 Opti-Chem® Electronic Contact Thermometer or CG-1995-02 PT-100 Temperature Sensor. Complete PIE-BLOCK system supplied with one safety pie plate holder and one each of the six wedges. **Custom configurations are available. Please call for pricing.**

- Safety pie plate holder keeps up to four pie wedges securely locked together on hotplate
- Aluminum construction provides excellent heat transfer while not interfering with the magnetic field
- Interchangeable pie wedges permit various sized vials on one hot plate
- Holes are spaced for optimum stirring of all vials
- Holder fits all 135mm diameter hot plate stirrers
- Inserts are color coded for quick and easy identification



CG-1991-P-01

Part Number	Description	Price
CG-1991-P-01	PIE-BLOCK System, with Safety Pie Plate Holder with 1ea of the six listed pie wedges	363.60*

Replacement Pie Plate Safety Holder:

Part Number	Description	Price
CG-1991-P-05	Reaction Pie Plate Safety Holder Only, Green Anodized	67.90*

Replacement Pie Wedges:

Part Number	Vial Type	Vial Size (mm)	Anodized Color	Hole Depth (mm)	# of Vials	Price
CG-1991-P-10	20mL (Scintillation)	28 x 60	Black	24	4	51.80*
CG-1991-P-11	30mL (Scintillation)	28 x 73	Green	30	4	56.70*
CG-1991-P-12	40mL (Scintillation)	28 x 98	Orange	43	4	61.20*
CG-1991-P-13	1 Dram (4mL)	15 x 45	Gold	19	9	63.50*
CG-1991-P-14	2 Dram (8mL)	17 x 60	Blue	25	8	61.40*
CG-1991-P-15	4 Dram (16mL)	21 x 70	Red	32	4	56.70*
CG-1991-P-23	0.5-2mL Microwave	16 x 83	Purple	--	8	77.50*
CG-1991-P-19	2-5mL Microwave	16 x 83	Turquoise	--	8	64.30*
CG-1991-P-20	10-20mL Microwave	28 x 83	Berry	--	4	62.00*
CG-1991-P-30	10mL Round Bottom Flask, GOLD					76.00*
CG-1991-P-32	25mL Round Bottom Flask, BLUE					77.70*
CG-1991-P-34	50mL Round Bottom Flask, RED					79.50*
CG-1991-P-36	100ml Round Bottom Flask, BLACK					81.10*



For Hot Plate Stirrers see pages10-12

* - Not Subject to Discount

Chemglass Life Sciences U.S. and Canada phone: 1-800-843-1794 • Fax: 1-800-922-4361 • customer-service@cglifesciences.com • www.cglifesciences.com



CG-1991-04, CG-1991-01, CG-1991-06

CG-1991 REACTION BLOCK, VIAL, ROUND

Reaction block is designed to fit directly on our CG-1990 or CGS-1990 Hot Plate stirrer, or any other unit having a 135mm top plate diameter. Constructed of anodized aluminum with a hole to accept a 1/8" sensor such as the CG-1995-02 thermocouple.

Features:

- Aluminum Construction Offers Excellent Heat Transfer, While Not interfering with Magnetic Stirring.
- Holes are Spaced for Optimum Stirring of Vials
- Blocks are Color Coded for Easy Identification.

Part Number	Fits Vial Size	Block Color	Number of Vials	Hole Depth (mm)	Price
CG-1991-01	20mL (28 x 57mm)	Black	17	24	172.00*
CG-1991-02	30mL (28 x 70mm)	Green	17	30	187.00*
CG-1991-03	40mL (28 x 95mm)	Orange	17	43	191.00*
CG-1991-04	1 Dram (15 x 45mm)	Gold	48	19	216.00*
CG-1991-05	2 Dram (17 x 60mm)	Blue	34	25	210.00*
CG-1991-06	4 Dram (21 x 70mm)	Red	21	32	195.00*

CG-1990-K STARTER KIT, PARALLEL SYNTHESIS, ROUND BLOCK

Inexpensive starter kit for performing parallel synthesis experiments.

Complete Kit consists of the following:

1 each CGS-1994-50 Optimag Hot Plate Stirrer

Which includes:

CG-1990-A-15 PT-1000 Temperature Sensor

CG-1995-05 Bosshead

CG-1995-06 Vertical Support Rod

CG-1995-22 Horizontal Thermocouple Support

1 each CG-1991 Round Reaction Block

1 pkg. CG-4912 Reaction Vials, Pressure Relief

CG-1990-K



Part Number	Reaction Vial Size	Block Part No.	Vial Part No.	Price
CG-1990-K300	15 x 45, 1 Dram	CG-1991-04	CG-4912-01	763.85*
CG-1990-K301	17 x 60, 2 Dram	CG-1991-05	CG-4912-02	763.85*
CG-1990-K302	28 x 57, 20mL	CG-1991-01	CG-4912-05	742.65*
CG-1990-K303	28 x 95, 40mL	CG-1991-03	CG-4912-06	779.76*

* - Not Subject to Discount

CG-1994 CHEMGLASS OPTIMAG PLUS, MAGNETIC HOT PLATE STIRRER WITH SAFETY CONTROL

Our new OPTIMAG+ hot plate stirrer with safety control features. This economically priced unit has many of the same features as our more expensive units.

Features:

- Set Safety Temperature Limit Displayed Digitally
- Exact Temperature And Speed Setting Via Digital Display, Even When Switched Off
- Hot Top Indicator —Hot Surface Warning To Prevent Burns!
- Indicator Lights For Both Heating And Stirring Modes
- Enclosed Housing Prevents Liquids And Vapors From Damaging Internal Components
- Highly Polished Aluminium Heating Plate For Optimum Heat Transfer

Specifications:

H2O Stirring Quantity MAX (L).....	20
Plate Diameter (mm):	135
Stirring Speed (RPM):	50 to 1,500
Temperature Range (°C):	RT-310
Overall Dimensions, W x D x H (mm):.....	165 x 275 x 85
Electrical.....	115V, 60 Hz
Weight (lbs):.....	5.5

<u>Part Number</u>	<u>Description</u>	<u>Price</u>
CG-1994-10	Hot Plate Stirrer with PT1000 Sensor	650.00*
CG-1994-50	OPTIMAG+ Magnetic Hot Plate Stirrer Package	690.00*
	<u>Complete Package To Include 1ea:</u>	
CG-1990-A-15	PT 1000 Temperature Sensor	
CG-1995-05	Boss Head	
CG-1995-06	S.S. Vertical Support Rod	
CG-1995-07	S.S. Holding Rod	



CG-1994

* - Not Subject to Discount



CG-1990-35

CG-1990 CHEMGLASS MAGNETIC HOT PLATE STIRRER

Manufactured for Chemglass Life Sciences by IKA WORKS, this magnetic hot plate stirrer incorporates two adjustable safety circuits and is indisputably at the top of their class in worldwide technology. A hot warning display indicating presence of any residual heat when the unit is switched off and a stirring bar crack detector are some of the newest features. Unit can be PC controlled via the RS 232 interface and analog output. The front panel design with easy-to-read backlit LCS display allows easy control and reading of both the speed and temperature features. The heating plate is 135mm diameter and made from stainless steel for optimum heat transfer. The hot plate stirrer is protected against liquid and vapor penetration by an enclosed assembly (IP 42) which guarantees long service life. The overhanging corner protects the instrument's plugs and electrical connections from spills.

Magnetic Stirrer:

H2O Stirring Quantity (Liters)	20
Motor Rating Input/Output (watts).....	12/5
Speed Display	LCD
Speed Range (RPM).....	0 - 1,500
Stirring Bar Length MAX (mm)	80

Heating Function:

Heat Output (watts)	600
Temperature Range (°C)	RT to 340
Heat Control Accuracy, Plate Only	± 1
Adjustable Safety Circuit MIN (°C).....	50
Adjustable Safety Circuit MAX (°C).....	350
Use With Temperature Sensor	CG-1995-02
Control Accuracy with Temperature Sensor	± 0.2

General Data:

Dimensions W x H x D (mm)	160 x 97 x 280
Weight (kg/lbs).....	2.8/6.2
Permissible Ambient Temperature (°C).....	5 to 40
Permissible Relative Moisture (%).....	80
RS 232 Interface.....	Yes
Analog Output	Yes
Power Requirements	115V, 50/60 Hz
Power Input (watts).....	630

Ordering Information:

<u>Part Number</u>	<u>Description</u>	<u>Price</u>
CG-1990-35	Magnetic Hot Plate Stirrer, COMPLETE	920.00*

Complete Package To Include Hot Plate Stirrer and 1 ea of:

CG-1995-02	PT 100 Temperature Sensor
CG-1995-05	Boss Head
CG-1995-06	Vertical Support Rod
CG-1995-22	Horizontal Thermocouple Support

Replacement Components:

<u>Part Number</u>	<u>Description</u>	<u>Price</u>
CG-1995-02	PT-100 Temperature Sensor ONLY	184.00*
CG-1995-05	Boss Head ONLY	23.00*
CG-1995-06	Vertical Support Rod ONLY	51.00*
CG-1995-22	Horizontal Thermocouple Support ONLY	34.00*

* - Not Subject to Discount

CG-1997 MAGNETIC HOT PLATE STIRRER, DIGITAL

Heavy duty round top MR Hei-Tec DIGITAL hot plate stirrer system with PT 1000 sensor. The unit features a 135mm diameter KeraDisk® top that is scratch proof and chemically resistant. Hotplate includes all the leading safety control features and superior ease of use. Pt 1000 temperature sensor for precise temperature control, overshoot protection and reproducible results. Digital speed control accurate to +/- 2% from 100 to 1400rpm., 115V 60Hz input.

Features:

- Independent Safety Circuit Will Switch Off Heating If The Hotplate Temperature Exceeds 25° Over Set Temperature
- Digital Display Makes It Easy to Set and Monitor Speed and Temperature
- Separate On/Off Switch For Heating With Illuminated Button.
- An Illuminated Button Indicates Clearly If The Stirring Mode Is Activated
- Hermetically Sealed Housing Prevents Liquids And Vapors From Damaging Internal Components
- Chemically Resistant KeraDisk® allows for Immediate Heat Transfer
- Pt 1000 temperature sensor for precise temperature control, overshoot protection and reproducible results

Specifications:

H2O Stirring Quantity MAX (L).....	20
Plate Diameter (mm):	135
Stirring Speed (RPM):	100 to 1400
Temperature Range (°C):	RT-300
Overall Dimensions, W x D x H (mm):.....	
Electrical.....	115V, 60 Hz
Weight (lbs):	
Warranty.....	3 Years

Part Number	Description	Price
CG-1997-10	Hot Plate Stirrer with PT1000 Temperature Sensor	1385.00*

CG-1997-50	Hot Plate Stirrer Package	1485.00*
-------------------	----------------------------------	-----------------

Complete Package To Include 1ea:

CG-1997-12	PT 1000 Temperature Sensor
CG-1995-05	Boss Head
CG-1995-06	S.S. Vertical Support Rod
CG-1995-07	S.S. Holding Rod



CG-1997-10

CG-1996 MAGNETIC HOT PLATE STIRRER, ANALOG

Heavy duty round top MR Hei-Standard Analog hot plate stirrer system with digital contact thermometer. The unit features a 135mm diameter KeraDisk® top that is scratch proof and chemically resistant. Hotplate includes all the leading safety control features and superior ease of use. Contact thermometer provides precise temperature control. Analog speed control accurate to +/- 2% from 100 to 1400rpm., 115V 60Hz input.

Features:

- Independent Safety Circuit Will Switch Off Heating If The Hotplate Temperature Exceeds 25° Over Set Temperature
- Analog Knobs For Convenient Speed and Temperature Setting
- Separate On/Off Switch For Heating With Illuminated Button.
- Hermetically Sealed Housing Prevents Liquids And Vapors From Damaging Internal Components
- Chemically Resistant KeraDisk® allows for Immediate Heat Transfer
- Digital Contact Thermometer: Fuzzy logic control ensures fast accurate heatup while preventing an overtemperature situation

Specifications:

H2O Stirring Quantity MAX (L).....	20
Plate Diameter (mm):	135
Stirring Speed (RPM):	100 to 1400
Temperature Range (°C):	RT-300
Overall Dimensions, W x D x H (mm):.....	
Electrical.....	115V, 60 Hz
Weight (lbs):	
Warranty.....	3 Years

Part Number	Description	Price
CG-1996-10	Hot Plate Stirrer with Contact Thermometer	1099.00*

CG-1996-50	Hot Plate Stirrer Package	1199.00*
-------------------	----------------------------------	-----------------

Complete Package To Include 1ea:

CG-1996-12	Contact Thermometer
CG-1995-05	Boss Head
CG-1995-06	S.S. Vertical Support Rod
CG-1995-07	S.S. Holding Rod



CG-1996-10





CG-1049-A



CG-1049-A ADAPTER, LUER, VACUUM

Adapter has an outer luer joint that provides a convenient way to connect solid phase extraction (SPE) cartridges, tubes or syringes to a standard taper inner joint. The adapter provides for easier sample concentration and clean-up while reducing the chances of cross-contamination. Hose connection is 10mm OD at the largest serration.

Part Number	Description	Price
CG-1049-A-14	Adapter, Luer Outer to 14/20 Inner	60.40
CG-1049-A-24	Adapter, Luer Outer to 24/40 Inner	62.80

CG-1049-B



CG-1049-B ADAPTER, LUER, VACUUM, STOPCOCK

Adapter has an outer luer joint that provides a convenient way to connect solid phase extraction (SPE) cartridges, tubes or syringes to a standard taper inner joint. The adapter provides for easier sample concentration and clean-up while reducing the chances of cross-contamination. The addition of a 2mm Teflon stopcock between the outer luer joint and standard taper inner permits control of the vacuum source. Hose connection is 10mm OD at the largest serration.

Part Number	Description	Price
CG-1049-B-14	Adapter, Luer Outer to 14/20 Inner	90.00
CG-1049-B-24	Adapter, Luer Outer to 24/40 Inner	92.00

CG-1049-F



CG-1049-F ADAPTER, FEMALE LUER LOCK, VACUUM

Adapter has a 1/4" -28 thread that accepts a female luer lock adapter which provides a convenient way to connect solid phase extraction (SPE) cartridges, tubes, or syringes with a male luer lock fitting to a standard male taper inner joint. The adapter provides for easier sample concentration and clean-up while reducing the chances of cross-contamination. Hose connection is 10mm OD at the largest serration. Supplied complete with 1 each CG-1055-20; 1/4"-28 Female to Female luer lock adapter.

Part Number	Description	Price
CG-1049-F-14	Adapter, Luer Lock Female to 14/20 Inner	89.80
CG-1049-F-24	Adapter, Luer Lock Female to 24/40 Inner	91.00

Replacement Components:

Part Number	Description	Price
CG-1055-20	1/4"-28 Female to Female Luer Lock Adapter	15.30*

CG-1049-G



CG-1049-G ADAPTER, FEMALE LUER LOCK, VACUUM, STOPCOCK

Adapter has a 1/4" -28 thread that accepts a female luer lock adapter which provides a convenient way to connect solid phase extraction (SPE) cartridges, tubes, or syringes with a male luer lock fitting to a standard male taper inner joint. The adapter provides for easier sample concentration and clean-up while reducing the chances of cross-contamination. The addition of a 2mm Teflon stopcock between the luer joint and standard taper inner permits control of the vacuum source. Hose connection is 10mm OD at the largest serration. Supplied complete with 1 each CG-1055-20; 1/4"-28 Female to Female luer lock adapter.

Part Number	Description	Price
CG-1049-G-14	Adapter, Luer Lock Female to 14/20 Inner	119.80
CG-1049-G-24	Adapter, Luer Lock Female to 24/40 Inner	122.80

Replacement Components:

Part Number	Description	Price
CG-1055-20	1/4"-28 Female to Female Luer Lock Adapter	15.30*
CG-424-77	2mm 11/25 Teflon Stopcock Plug	14.30

* - Not Subject to Discount

CG-1049-C ADAPTER, VACUUM, THREADED

Adapters are used for filtration directly into vials. There are three top configurations, with the bottom of all adapters having a 20-400 GPI thread for connection to vials using a CG-1318 Threaded Connector. Design incorporates a drip tube sealed within thread to prevent breakage and are supplied with a 2-1/2" PTFE delivery stem. Hose connection is 10mm OD at the largest serration. ADAPTERS ARE SUPPLIED WITH PTFE DELIVERY STEM.

- Adapter with tooled flare top is used for reduced pressure filtration with plain stem Buchner funnels. Flare accepts a #2 Pluro Stopper. ADAPTER IS NOT SUPPLIED WITH PLURO STOPPER UNLESS PURCHASED AS A KIT. SEE CG-1401 FOR STOPPER.
- Adapter with outer luer joint provides a convenient way to connect solid phase extraction (SPE) cartridges, tubes or syringes. The adapter provides for easier sample concentration and clean-up while reducing the chances of cross-contamination.
- Adapter with 20-400 GPI thread allows for transfer from vial to vial.
- Kits are available with one each of the glass adapters, PTFE delivery stem packaged in a divided plastic box.

Ordering Information:

Part Number	Description	Kit Price
CG-1049-C-10	Vacuum Adapter Kit to Consist of:	185.00
1ea CG-1049-C-02	Adapter, #2 Pluro Stopper	
1ea CG-1049-C-04	Adapter, Luer Outer	
1ea CG-1049-C-06	Adapter, 20-400 GPI	
1ea CG-1049-C-50	PTFE Delivery Stem, 12/Pkg.	
1ea CG-1401-11	#2 Pluro Stopper	

Replacement Components:

Part Number	Description	Price
CG-1049-C-02	Adapter, Tooled #2 Pluro Stopper Flare	63.60
CG-1049-C-04	Adapter, Outer Luer Joint	63.60
CG-1049-C-06	Adapter, 20-400 GPI Thread	63.60
CG-1049-C-50	3/16" ID X 1/4" OD X 2-1/2" Long PTFE Delivery Stem, 12/Pkg.	17.50*
CG-1401-11	#2 Pluro Stopper	6.30*



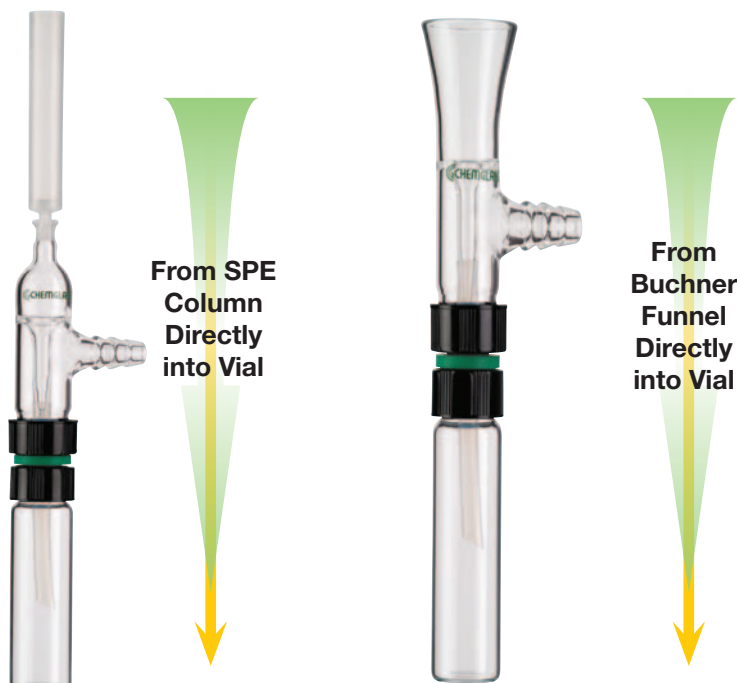
CG-1049-C-02



CG-1049-C-04

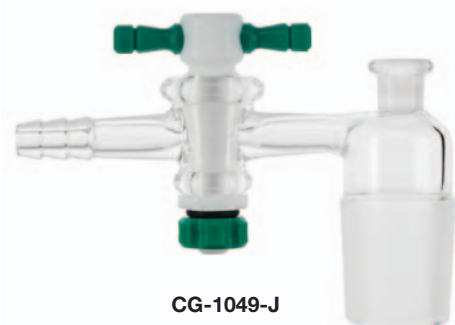


CG-1049-C-06



* - Not Subject to Discount

Chemglass Life Sciences U.S. and Canada phone: 1-800-843-1794 • Fax: 1-800-922-4361 • customer-service@cglifesciences.com • www.cglifesciences.com



CG-1049-J

CG-1049-J ADAPTER, CLEANSE-FREE™, VACUUM, STOPCOCK

Cleanse-Free™ Adapter has a ground glass standard taper outer joint on top that provides a convenient leak free way to connect to the OP-6602, OP-6603 and OP-6604 disposable long stem filter funnels and a taper inner joint or a vial. The unique design of the long stem filter funnel and vacuum adapter makes it unnecessary to clean after each use. The 2mm Teflon stopcock between the outer joint and standard taper inner permits control of the vacuum source. Hose connection is 10mm OD at the largest serration.

U.S. Patent Pending.

Complete Adapter:

Part Number	Description	Price
CG-1049-J-14	Adapter, Cleanse-Free, Outer to 14/20 Inner	70.70*
CG-1049-J-24	Adapter, Cleanse-Free, Outer to 24/25 Inner	72.90*
CG-1049-J-29	Adapter, Cleanse-Free, Outer to 29/26 Inner	72.90*
CG-1049-J-30	Adapter, Cleanse-Free, Outer to 20-400 GPI Thread	70.80*

Accessories:

Part Number	Description	Price
CG-1318-23	20-400 to 20-400 GPI Thread	15.00*
CG-1318-24	20-400 to 22-400 GPI Thread	15.30*
CG-1318-25	20-400 to 24-400 GPI Thread	20.00*



Filtration Directly into Flask or Vial

OP-6604 FILTER FUNNEL POLYPROPYLENE, PERFORATED SUPPORT

Disposable filter funnel for solid-liquid separation can be used in chemistry and biological laboratories. The molded funnel has a perforated support plate that is designed for use with standard filter paper. Polypropylene filter funnel is designed for use with the CG-1049-J style glass vacuum adapter and a flask or vial. The CG-1049-J vacuum adapters are specially designed so that the vacuum can be controlled using a Teflon stopcock to prevent the filtrates from being sucked into the vacuum line. Also, the disposable filter funnels have a 80mm long stem so that the glass vacuum adapter is not contaminated during the filtration process.

U.S. Patent Pending.



OP-6604

Part Number	Description	Filter Paper Size	Qty/Case	Case Price
OP-6604-10	20mL Filter Funnel, Disposable	15mm	100	124.40*
OP-6604-12	60mL Filter Funnel, Disposable	25mm	100	178.50*

* - Not Subject to Discount

PLASTIC DISPOSABLE BUCHNER FUNNELS

OP-6602 FILTER FUNNEL, POLYETHYLENE FRIT

This unique disposable filter funnel system for solid-liquid separation can be used in chemistry and biological laboratories. The system consists of a polypropylene filter funnel with a 10 micron polyethylene fritted disc, a CG-1049-J style glass vacuum adapter, and a flask or vial. The CG-1049-J vacuum adapters are specially designed so that the vacuum can be controlled using a Teflon stopcock to prevent the filtrates from being sucked into the vacuum line. Also, the disposable filter funnels have a 80mm long stem so that the glass vacuum adapter is not contaminated during the filtration process.

U.S. Patent Pending.

Part Number	Description	Qty/Case	Case Price
OP-6602-10	18mL Filter Funnel, Disposable	100	189.30*
OP-6602-12	40mL Filter Funnel, Disposable	100	210.90*
OP-6602-14	110mL Filter Funnel, Disposable	50	161.20*

OP-6603 FILTER FUNNEL, DIATOMACEOUS EARTH

This unique disposable filter funnel system for solid-liquid separation can be used in chemistry and biological laboratories. The system consists of a polypropylene filter funnel with **diatomaceous earth/polyethylene fritted disc**, a CG-1049-J style glass vacuum adapter, and a flask or vial. The CG-1049-J vacuum adapters are specially designed so that the vacuum can be controlled using a Teflon stopcock to prevent the filtrates from being sucked into the vacuum line. Also, the disposable filter funnels have a 80mm long stem so that the glass vacuum adapter is not contaminated during the filtration process.

U.S. Patent Pending.

Part Number	Description	Qty/Case	Case Price
OP-6603-10	18mL Filter Funnel, Disposable, 500mg Diatomaceous Earth	50	166.60*
OP-6603-12	40mL Filter Funnel, Disposable, 1500mg Diatomaceous Earth	50	178.50*

**Look for larger sizes, additional porosities
and package sizes online at
www.cglifesciences.com.**

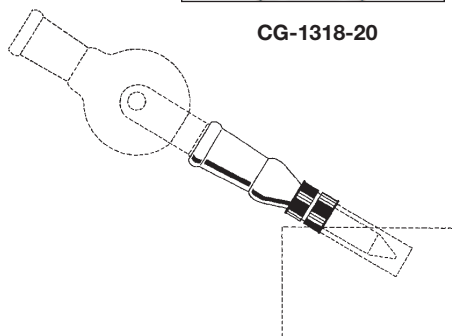


* - Not Subject to Discount

Chemglass Life Sciences U.S. and Canada phone: 1-800-843-1794 • Fax: 1-800-922-4361 • customer-service@cglifesciences.com • www.cglifesciences.com



CG-1318-20



CG-1318-40

CG-1318 ADAPTER, VIAL, THREADED, ROTARY EVAPORATOR

Adapters permit the connection of standard laboratory dram sample vials directly to the vapor tube or a bump trap of a rotary evaporator, or for use with CG-1049 adapters for filtration work. Rotary evaporator adapter has a top outer joint of the listed size and a 20-400 G.P.I. thread at the bottom. The Teflon lined, polypropylene double threaded connector attaches the vial to the adapter.

Kits are available complete with the glass adapter and the 6 sizes of the double threaded adapter, packaged in a divided plastic box.

Connectors ONLY:

Part Number	Description	Price
CG-1318-20	Connector to Fit 13-425 Vials	12.30*
CG-1318-21	Connector to Fit 15-425 Vials	13.00*
CG-1318-22	Connector to Fit 18-425 Vials	14.50*
CG-1318-23	Connector to Fit 20-400 Vials	15.00*
CG-1318-24	Connector to Fit 22-400 Vials	15.30*
CG-1318-25	Connector to Fit 24-400 Vials	20.00*

Glass Adapters for Rotary Evaporators:

Part Number	Description	Price
CG-1318-10	24/40 Glass Adapter Only	35.80*
CG-1318-11	29/26 Glass Adapter Only	40.50*
CG-1318-12	29/42 Glass Adapter Only	40.50*

Complete Kits:

Part Number	Description	Price
CG-1318-40	24/40 Glass Adapter Complete with all 6 threaded Vial adapters, 13-425, 15-425, 18-425, 20-400, 22-400, 24-400	120.00*
CG-1318-41	29/26 Glass Adapter Complete with all 6 threaded vial adapters, 13-425, 15-425, 18-425, 20-400, 22-400, 24-400	125.80*
CG-1318-42	29/42 Glass Adapter Complete with all 6 threaded vial adapters 13-425, 15-425, 18-425, 20-400, 22-400, 24-400	125.80*
CG-1318-30	Threaded Vial Adapters <u>Only</u> , 13-425, 15-425, 18-425, 20-400, 22-400, 24-400	89.40*

CG-1761 FUNNEL, VIAL, TEFLON

Funnel machined from Teflon screws securely onto any standard laboratory vial having a GPI thread. Design allows for easy, safe and mess free transfer of product.

PLEASE NOTE: VIALS NOT INCLUDED WITH FUNNELS.

Part Number	Description	Price
CG-1761-20	Funnel Kit, Supplied with a Polypropylene box and 1 each of the eight funnel sizes	123.80*

Individual Funnels:

Part Number	Funnel OD (in)	Thread Size	Price
CG-1761-01	1.0	8-425	13.55*
CG-1761-02	1.0	9-425, 10-425	13.55*
CG-1761-03	1.0	13-425	13.85*
CG-1761-04	1.4	15-425	16.35*
CG-1761-05	1.4	18-400	16.35*
CG-1761-06	1.9	20-400	19.35*
CG-1761-07	1.9	22-400	19.35*
CG-1761-08	1.9	24-400	19.35*



CG-1761

* - Not Subject to Discount

CLS-1815 DISHES, WEIGHING, ANTISTATIC, POLYSTYRENE

The polystyrene weighing dishes will resist diluted acids, aqueous solutions, alcohols and bases. They are ideal for weighing, dispensing or storing both liquid and powdered samples. They can also be used as quick freeze trays for sample material, and will withstand temperatures up to 80°C.

Available in three styles, Square, Hexagonal or in Boat.

SQUARE:

Part Number	Volume (mL)	Dimensions (L x W x H, mm)	Pkg Qty	Pkg Price
CLS-1815-001	20	41 x 41 x 8	500	65.00◇
CLS-1815-002	100	89 x 89 x 25	500	80.00◇
CLS-1815-003	330	140 x 140 x 25	500	165.00◇

HEXAGONAL:

Part Number	Volume (mL)	Top I.D. (mm)	Base I.D. (mm)	Pkg Qty	Pkg Price
CLS-1815-007	20	38	25	500	55.00◇
CLS-1815-008	50	64	51	500	82.30◇
CLS-1815-009	200	102	76	500	174.60◇
CLS-1815-010	350	127	89	500	183.50◇

BOAT STYLE:

Part Number	Volume (mL)	Dimensions (L x W x H, mm)	Pkg Qty	Pkg Price
CLS-1815-004	20	60 x 41 x 8	250	35.00◇
CLS-1815-005	140	133 x 76 x 25	250	65.00◇
CLS-1815-006	270	197 x 121 x 25	250	85.00◇



CG-1760 FUNNEL, WEIGHING

Weighing funnel is available in anti-static Polypropylene, disposable Polypropylene or reusable Borosilicate glass. Pouring necks are designed to fit volumetric flasks, micro-tubes or any narrow neck apparatus. Funnel is designed to sit flat on balance and is suitable for safe handling of hazardous materials. The 1mL is for use with 96 well mini tubes and deep well plates the 2mL fits volumetric flasks up to 50mL and the 7mL Size can be used for volumetric flasks 100mL and over.

Anti-Static Polypropylene Weighing Funnel:

Part Number	Solid Capacity (mL)	Liquid Capacity (mL)	Pkg Qty	Pkg Price
CG-1760-02	2	1	96	65.30*
CG-1760-04	2	2	50	42.20*
CG-1760-06	10	7	50	57.20*

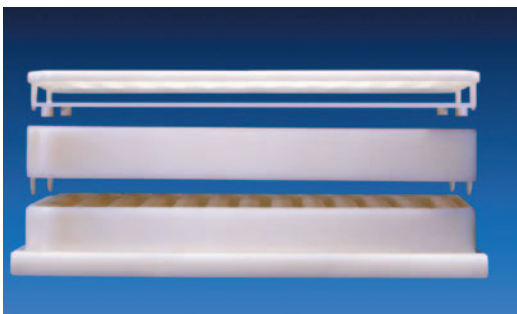
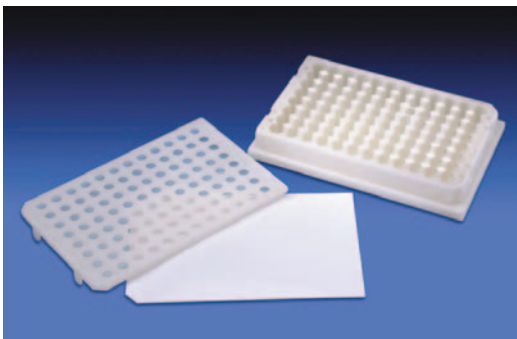
Disposable Polypropylene Weighing Funnel:

Part Number	Solid Capacity (mL)	Liquid Capacity (mL)	Pkg Qty	Pkg Price
CG-1760-12	2	1	96	63.50*
CG-1760-14	2	2	50	30.40*
CG-1760-16	10	7	50	44.30*

Reusable Borosilicate Glass Weighing Funnel:

Part Number	Solid Capacity (mL)	Liquid Capacity (mL)	Pkg Qty	Pkg Price
CG-1760-22	2	1	6	42.30*
CG-1760-24	2	2	6	44.20*
CG-1760-26	10	7	6	51.10*





CG-1915

CG-1915 PLATE, MULTI-TIER™ 96 WELL REACTION

Our Multi-Tier™ 96 well reaction plates have a fixed height or can be multi-tiered to accept up to 1.5mL borosilicate glass inserts. Plates have the same footprint as standard 96 well polystyrene plates and are compatible with 96 well automation workstations. Complete setups include: Base Plate, Glass Inserts, Pre-scored PTFE/Silicone Septa, and Snap-On Cover. Plates are autoclavable.

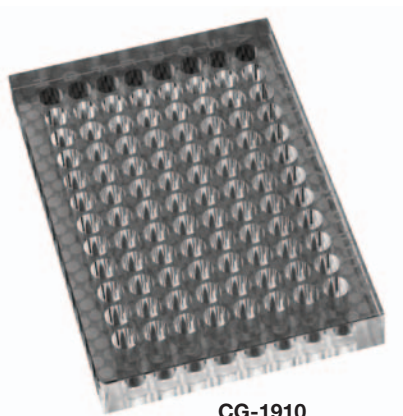
- **Base Plate And Spacers Are Constructed Of TOPAS for Greater Chemical Resistance And Autoclaving**
- **Borosilicate Glass Inserts Provide Excellent Solvent Resistance And Thermal Stability**
- **Adjustable Capacity Glass Wells: 0.5 To 1.5mL**
- **Standard 8 x 12 Format Alpha-Numeric: A-H, 1-12**
- **Base Plate Is Open Permitting The Glass To Be In Contact With Heating Or Cooling Media**
- **Locking Cover Secures Inserts In Place**
- **Conical Design Of Glass Inserts Permits Maximum Sample Recovery**
- **Glass Inserts Are Securely Held In Place Permitting Plates To Be Used With Shakers/Vortexers For Agitation**
- **Pre-scored PTFE/Silicone Septa Permits Easier Needle Penetration**
- **PTFE/Silicone Stopper Plugs Prevent Cross Contamination And Evaporation Of Individual Reactions/Samples**

Complete Plates:

Part Number	Description	Price
CG-1915-01	0.5mL 96 Well Multi-Tier™ Reaction Plate, TOPAS	92.20*
CG-1915-02	1.0mL 96 Well Multi-Tier™ Reaction Plate, TOPAS	92.20*
CG-1915-03	1.5mL 96 Well Multi-Tier™ Reaction Plate, TOPAS	93.90*

Replacement/Optional Components:

Part Number	Description	Price
CG-1915-20	Base Plate Only	23.80*
CG-1915-21	Spacer to Heighten Plate (1 needed for 1.0mL, 2 needed for 1.5mL)	15.90*
CG-1915-22	Snap-On Cover	63.20*
CG-1915-23	Pre-Scored PTFE/Silicone Septa	144.70*
CG-1915-24	PTFE/Silicone Stopper	263.20*
CG-1915-30	0.5mL Glass Insert	31.70*
CG-1915-31	1.0mL Glass Insert	31.70*
CG-1915-32	1.5mL Glass Insert	31.70*



CG-1910

CG-1910 PLATE, 96 WELL REACTION

Reaction plate is made of 33-expansion borosilicate glass. Available in well capacities of 450 and 500uL. Wells are coded with letters A-H vertically and numbers 1-12 horizontally.

Part Number	Well Capacity (uL)	Cavity Style	Overall Dimensions L x W x H (mm)	Price
CG-1910-01	450	Round	85 x 127 x 14	890.00*
CG-1910-02	500	Flat	85 x 127 x 14	695.00*

* - Not Subject to Discount

CV-1350 96 WELL PLATES, GLASS INSERTS, SEALING MAT

96 Well polypropylene plates with glass inserts for use in organic chemistry. Septa mats have a PTFE surface allowing them to be used with aggressive solvents and withstand pressure that can build up in the glass inserts.

COMPLETE 96-Well Plates with Glass Inserts & Cap Mats:

Part Number	Description	Price
CV-1350-0011	1.0mL, PTFE/Silicone	58.25▲
CV-1350-0012	1.0mL, Pre-Slit PTFE/Silicone	59.35▲

Replacement Components and Accessories:

Part Number	Description	Price
CV-1350-0003	Individual Cap for 1.0mL Inserts (Pkg. of 100)	5.90▲
CV-1350-0005	Cap Mat, PTFE/Silicone, EACH	22.25▲
CV-1350-0006	Cap Mat, PTFE/Silicone, Pre-Slit, EACH	24.10▲
CV-1350-0007	Plate Only, EACH	10.10▲
CV-1350-0009	1.0mL Glass Insert Only (Pkg. of 250)	84.40▲



CV-1350

CG-8703 PIPETS, DISPOSABLE, BULK PACK, NON-STERILE

Disposable glass Pasteur pipets are available in convenient packages. One-time use eliminates the danger of cross-contamination of valuable specimens or laboratory reagents. These pipets feature a constriction one inch below the top to facilitate plugging. They are ideal for rapid non-volumetric transfer work in bacteriology, immunology, hematology and serology studies, as well as blood bank and clinical chemistry procedures.

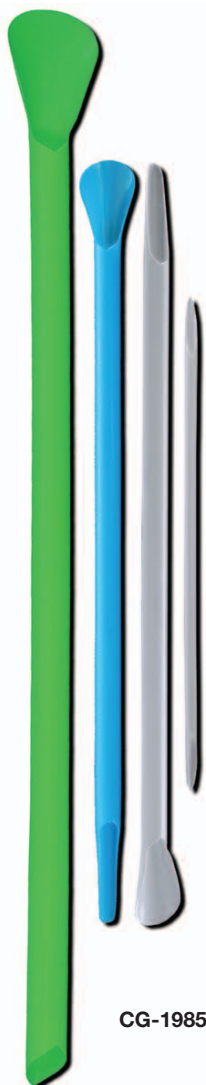
Part Number	Length (Inches)	Pkg. Qty.	Pkg. Price
CG-8703-5X	5-3/4	200	17.70†
CG-8703-9	9	200	19.00†



CG-8703

† - Subject to reusable glassware discount

▲ - Subject to Vials and Containers Discount



CG-1985

CG-1985-P SMARTSPATULAS®, DISPOSABLE

Used for sample handling and manipulation in labs across the country. These versatile spatulas can be used to scoop, scrape or stir. Made of virgin polypropylene, smartSpatulas are an economic alternative to reusable spatulas. Available in 3 convenient sizes: Macro-Green 310 mm, Standard-Blue and Standard-Opaque 210 mm, and Antistatic-Micro 140 mm. smartSpatulas are autoclavable for sterile applications. Single-use smartSpatulas help to reduce cross contamination, are resistant to dilute acids and bases, and the unique hollow core minimizes thermal transfer. SmartSpatulas comply with FDA regulations for food-contact applications, are shatter resistant for liquid nitrogen frozen samples and can also be used as a stir rod or policeman.

NOTE: 210 mm Opaque NOW AVAILABLE in Sterile packs

- Inexpensive spatulas that scoop, scrape and stir
- Autoclavable for sterile applications
- Antistatic Micro for small volumes
- Unique hollow cores minimize thermal transfer
- Excellent for use as stir rod or policeman
- Resistant to dilute acids and bases
- Made of Virgin Polypropylene and Complies with FDA regulations for food-contact applications
- Shatter resistant for liquid nitrogen frozen samples

Part Number	Description	Price
CG-1985-P-01	Standard Blue, 210mm, Pack/300	25.50*
CG-1985-P-02	Standard Blue, 210mm, Case/7500	618.00*
CG-1985-P-03	Standard Opaque, 210mm, Pack/300	25.50*
CG-1985-P-04	Standard Opaque, 210mm, Case/7500	618.00*
CG-1985-P-05	Antistatic, Micro, 140mm, Pack/300	18.40*
CG-1985-P-06	Antistatic, Micro, 140mm, Case/7500	443.40*
CG-1985-P-07	Macro, Green, 310mm, Pack/150	23.70*
CG-1985-P-08	Macro, Green, 310mm, Case/3600	568.50*
CG-1985-P-10	STERILE, Standard Opaque, Pack/100	103.00*
CG-1985-P-12	STERILE, Standard Opaque, Case/500	515.00*

(NOTE: Packaged 10 per Sterile Pouch, 10 Pouches per Pack, 50 per case)



CG-1981

CG-1981 SPATULA, ROUNDED, MICRO

Spatula will pass through a 14/10 or 14/20 outer joint. Made of Nickel-Stainless having a mirror finish. Both ends are rounded and are approximately 5/16" (8mm) wide x 2" (51mm) in length.

Part Number	Overall length (in)	Price
CG-1981-10	8	5.40*
CG-1981-12	12	9.40*

* - Not Subject to Discount

CG-1982 SPATULA, TAPERED, MICRO

Spatula will pass through a 14/10 or 14/20 outer joint and is made of Nickel-Stainless having a mirror finish. One end is rounded; the other is tapered to 1/8" (3.3mm). Both ends are approx. 5/16" (8mm) wide x 2" (51mm) in length.

<u>Part Number</u>	<u>Overall length (in)</u>	<u>Price</u>
CG-1982-11	8	5.35*
CG-1982-12	12	8.90*



CG-1982

CG-1983 SPATULA, SPOON, MICRO

Spatula will pass through a 14/10 or 14/20 outer joint. Spoon type spatula is made of Nickel-Stainless with an overall length of 6.5" (165mm). The oval spoon end is 3/4" (19mm) long x 3/16" (4.8mm) wide. Equipped with a cushion grip vinyl handle for easy holding.

<u>Part Number</u>	<u>Overall length (in)</u>	<u>Price</u>
CG-1983-12	6.5	6.80*



CG-1983-12

CG-1984 SPATULA, SEMI-MICRO

Spatula will pass through a 14/10 or 14/20 outer joint and is made of Nickel-Stainless having a mirror finish with an overall length of 7" (178mm). One end is rounded; the other is tapered to a point approximately 3/32" (2.5mm). Both ends are approximately 5/16" (8mm) wide x 2" (51mm) in length.

<u>Part Number</u>	<u>Overall length (in)</u>	<u>Price</u>
CG-1984-13	7	7.30*



CG-1984-13

CG-2003 STIR BAR, MAGNETIC, MICRO, BULK PACKED, PTFE

Micro PTFE stirring magnet for the very smallest containers. Packaged 50 each per container.

<u>Part Number</u>	<u>Length x Diameter (mm)</u>	<u>Price</u>
CG-2003-100	2 x 2	121.00*
CG-2003-110	3 x 3	121.00*
CG-2003-120	5 x 2	122.00*
CG-2003-130	6 x 3	123.09*
CG-2003-140	7 x 2	72.10*



CG-2003

* - Not Subject to Discount



CG-3070

CG-3070 SYRINGE, LUER LOCK, MICRO-MATE®

Borosilicate glass syringes have interchangeable barrels and plungers. Colored plunger ends identify the capacity of the syringe. Flanges are flat on two sides to prevent syringe from rolling. All sizes of syringes are equipped with a metal luer lock and permanently fused graduations.

Part Number	Capacity (cc)	Subdivisions (cc)	Price
CG-3070-01	2	1/10	15.90*
CG-3070-03	5	1/5	16.50*
CG-3070-04	10	1/5	27.20*
CG-3070-05	20	1	24.00*
CG-3070-06	30	1	38.50*
CG-3070-07	50	2	79.50*



CG-3080

CG-3080 SYRINGE, POLYPROPYLENE

These all polypropylene syringes are latex free and contain no rubber or silicone. The plastic plunger has a smooth draw and a positive safety stop to prevent accidental spills. Syringes are individually sterile strip packed. The Luer tip for the 1, 3 and 5mL sizes is centric to the barrel. The 10, 20 and 50mL sizes have a Luer tip which is offset from the barrel. The 1mL syringe is a long, thin Tuberculin style.

Part Number	Capacity mL	Tip Style	Pkg Qty	Pkg Price
CG-3080-01	1	Centric	100	18.20*
CG-3080-02	3	Centric	100	11.40*
CG-3080-04	5	Centric	100	17.40*
CG-3080-06	10	Offset	100	23.20*
CG-3080-08	20	Offset	100	43.20*
CG-3080-11	50	Offset	30	29.80*



CG-3081

CG-3081 SYRINGE, POLYPROPYLENE, LUER LOCK

All polypropylene syringes with a Luer Lock. The plastic plunger has a smooth draw and positive safety stop to prevent accidental spills. Syringes are individually sterile strip packed.

Part Number	Capacity (mL)	Pkg Qty	Pkg Price
CG-3081-01	3	100	23.50*
CG-3081-02	5	100	29.75*
CG-3081-03	10	100	32.50*
CG-3081-04	20	100	47.30*
CG-3081-05	30	50	41.10*
CG-3081-06	50	30	34.90*

* - Not Subject to Discount

CLS-2005 SYRINGE FILTERS

CGLS Syringe Filters are high quality filters, packaged in sterile blister packs and offered at a very competitive price. The standard range of filters are available in PVDF (Polyvinylidene Fluoride), PES (Polyethersulfone), MCE (mixed Cellulose Ester), Nylon and PTFE.

All filters are designed with Female Luer-Lock inlets and Male Luer-Lock outlets. Gamma sterilized, non-pyrogenic and RNA/DNA-Free. The housings are made of SBS.



CLS-2005

PVDF –

Extremely low protein-binding; for filtration of non-aggressive aqueous and mild organic solutions, or where maximizing protein recovery is important.

- Gas Filtration
- Vapor Filtration
- High Temperature Filtration

PES –

Low affinity for proteins and extractable with substantially faster flow rates than PVDF; suitable for pre-filtration and filtration of buffers and culture media.

- Sterile Filtering Protein Solution
- Tissue Culture Media Filtration
- Tissue Culture Additive Filtration

MCE –

Filtration of aqueous solutions; effectively binds trace proteins.

- Oil particulate and bacteria filtration and then inspect them
- Alcohol particulate and bacteria filtration and then inspect them
- Other solvent particulate and bacteria filtration and then inspect them

Nylon –

Universal application for analytical procedures.

- Chemical Filtration
- Beverage Filtration

PTFE –

Designed to bring the highest levels of performance and purity to your research.

- Organic Solvent with Strong Chemical Causticity Filtration
- Strong Acid Solvent Filtration
- Alkali Solvent Filtration

Part Number	Membrane Material	Membrane Size (µm)	Filter Dia. (mm)	Case Qty	Case Price
CLS-2005-001	PVDF	0.10	13	75	55.00◇
CLS-2005-003	PVDF	0.10	30	30	46.00◇
CLS-2005-005	PVDF	0.22	13	75	55.00◇
CLS-2005-007	PVDF	0.22	30	30	46.00◇
CLS-2005-009	PVDF	0.45	13	75	55.00◇
CLS-2005-011	PVDF	0.45	30	30	46.00◇
CLS-2005-013	PES	0.22	13	75	55.00◇
CLS-2005-015	PES	0.22	30	30	46.00◇
CLS-2005-017	PES	0.45	13	75	55.00◇
CLS-2005-019	PES	0.45	30	30	46.00◇
CLS-2005-021	MCE	0.22	13	75	55.00◇
CLS-2005-023	MCE	0.22	30	30	46.00◇
CLS-2005-025	MCE	0.45	13	75	55.00◇
CLS-2005-027	MCE	0.45	30	30	46.00◇
CLS-2005-029	Nylon	0.45	13	75	55.00◇
CLS-2005-031	Nylon	0.45	30	30	46.00◇
CLS-2005-033	PTFE	0.22	13	75	91.00◇
CLS-2005-035	PTFE	0.22	25	30	63.00◇
CLS-2005-037	PTFE	0.45	13	75	91.00◇
CLS-2005-039	PTFE	0.45	25	30	63.00◇

◇ - Subject to Life Sciences Consumables Discount

Chemglass Life Sciences U.S. and Canada phone: 1-800-843-1794 • Fax: 1-800-922-4361 • customer-service@cglifesciences.com • www.cglifesciences.com



CG-8866



CG-8872

CG-8866 TUBE, CULTURE, DISPOSABLE, RIMLESS

One time use borosilicate glass culture tube packed in easy to open, easy to use packs.

Part Number	O.D. x Length (mm)	Case Quantity	Case Price
CG-8866-12	12 x 75	1000	80.50†
CG-8866-13	13 x 100	1000	87.80†
CG-8866-16	16 x 100	1000	109.70†
CG-8866-16X	16 x 125	1000	130.20†
CG-8866-16XX	16 x 150	1000	168.00†
CG-8866-18	18 x 150	500	103.70†

CG-8872 TUBE, CULTURE, DISPOSABLE, SCREW THREAD

One time use borosilicate glass tube with screw thread. Supplied without screw caps, for caps see CG-8874.

Part Number	O.D. x Length (mm)	Thread Size	Shelf Pack Quantity	Shelf Pack Price
CG-8872-13	13 x 100	13-415	250	87.65†
CG-8872-16	16 x 100	15-415	250	92.80†
CG-8872-16X	16 x 125	15-415	250	95.35†
CG-8872-16XX	16 x 150	15-415	250	101.15†



CG-1318-A

CG-1318-A ROTARY EVAPORATOR ADAPTER, MICROWAVE VIAL

Teflon adapter permits easy and convenient connection of a microwave vial to a rotary evaporator vapor tube or bump trap. Lower portion of the adapter incorporates a threaded black acetal compression cap that is slotted to accept the 20mm aluminum seal finish on the microwave vial. Can also be used for any vial that has a 20mm aluminum seal finish such as a headspace vial.

Complete Adapter:

Part Number	Description	Price
CG-1318-A-10	24/40 Microwave Vial Adapter	132.00
CG-1318-A-12	29/42 Microwave Vial Adapter	138.00

Replacement Components

Part Number	Description	Price
CG-305-017	Viton O-Ring, Package of 12	13.75

† - Subject to reusable glassware discount

CG-4920 VIALS, MICROWAVE

Vials are manufactured from heavy wall Type I, Class A borosilicate glass to withstand pressure up to 300 PSI (20 bars). All sizes are supplied with 100ea 20mm Aluminum Seals with 0.125" thick Teflon Faced Silicone Septa installed. For crimper and decapper tools, see CG-4930. **PLEASE NOTE: STIR BARS AND ALUMINUM SEALS ARE SUPPLIED WITH COMPLETE PACKAGES, BUT ARE NOT ASSEMBLED.**

CG-4920-04 Complete Package To Include:

100ea 0.2-0.5mL Vials, 100ea 20mm Aluminum Seals with Teflon Faced Silicone Septa, and 100ea 2mm Diameter x 5mm Long PTFE Stir Bars.

CG-4920-03 Complete Package To Include:

100ea 0.5-2mL Tapered Vials, 100ea 20mm Aluminum Seals with Teflon Faced Silicone Septa, and 100ea 5.25mm Width x 11mm Height Triangular Shaped PTFE Stir Vanes.

CG-4920-01 Complete Package To Include:

100ea 2-5mL Vials, 100ea 20mm Aluminum Seals with Teflon Faced Silicone Septa, and 100ea 3mm Diameter x 10mm Long PTFE Stir Bars.

CG-4920-02 Complete Package To Include:

100ea 10-20mL Vials, 100ea 20mm Aluminum Seals with Teflon Faced Silicone Septa, and 12ea 6mm Diameter x 15mm Long Egg Shaped PTFE Stir Bars.

Ordering Information:

Part Number	Capacity	Bottom Style	Vial OD x Length (mm)	Pkg Price
CG-4920-04	0.2-0.5mL	---	8 x 83	787.45†
CG-4920-03	0.5-2mL	Tapered	16 x 83	445.25†
CG-4920-01	2-5mL	Round	16 x 83	350.01†
CG-4920-02	10-20mL	Round	28 x 83	1012.40†

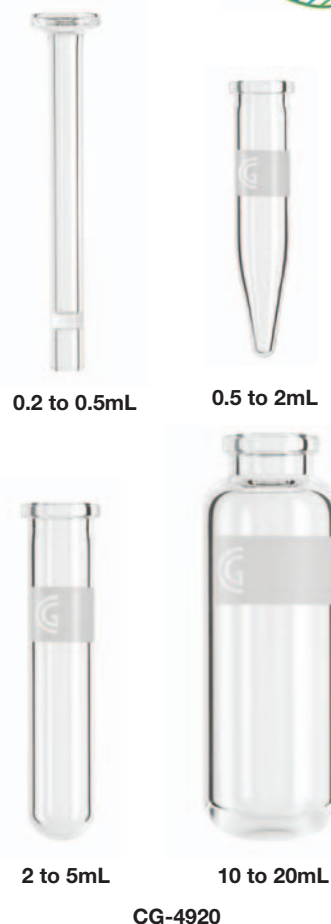
Replacement Components:

Part Number	Description	Pkg Qty	Pkg Price
CG-4920-10	20mm Aluminum Seals with 0.125" Thick Teflon Faced Silicone Septa	200	185.00†
CG-4920-15	3mm Diameter x 10mm Long PTFE Stir Bars	50	86.55†
CG-4920-16	6mm Diameter x 15mm Long Egg Shaped PTFE Stir Bars	12	22.25†
CG-4920-17	5.25mm Width x 11mm Height Triangular Shaped PTFE Stir Vanes	50	128.00†
CG-4920-18	2mm Diameter x 5mm Long PTFE Stir Bars	50	102.50†

CG-4930 CRIMPER, DECAPPER, 20mm ALUMINUM SEAL

Tools for crimping and decapping aluminum seals on microwave vials. The crimper has an adjustment feature which will allow it to be used with a variety of septa, discs, stoppers or lined caps. The user may adjust the stroke or movement for each application as needed. The plier style decapper is an inexpensive way to remove sealed caps by simply securing the seal between the jaws and squeezing the handles until the cap pops off.

Part Number	Description	Price
CG-4930-20	Crimper, Hand Operated, 20mm	228.70▲
CG-4930-21	Decapper, Plier Style	59.75▲



CG-4930-20



CG-4930-21

† - Subject to reusable glassware discount

▲ - Subject to Vials and Containers Discount



iChemExplorer™

*Making Good Chemists
More Productive*

*Turn your HPLC and LC/MS into a
High Throughput Screening Tool!*

APPLICATIONS

- Library Synthesis • Solubility Screening
- Reaction Kinetics • Degradation
- Impurity Generation
- Design of Experiment Studies
- Excipient Compatibility

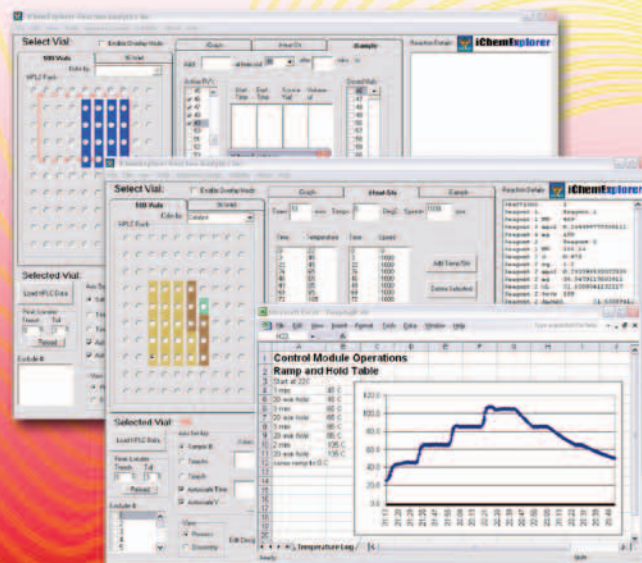


Chemistry in a Vial with iChemExplorer™ Heater Stirrer Module

- Low-cost add-on to HPLC with one day on-site installation & personalized training
- Small sample volume saves precious starting materials, minimizes waste and maintains near-constant concentration
- Fast run times with neat injections – no need to quench or dilute
- Uses standard autosampler rack layouts
- Small Footprint as Heater/Stirrer Module stacks under autosampler and iChemExplorer™ runs on HPLC PC
- Over-temperature safety feature

**iChemExplorer™
is INTUITIVE
NO PROGRAMMING
LANGUAGE REQUIRED**

Use a "temperature profile table" or manual control to heat up to 150°C with stirring. An in-block thermocouple provides direct temperature feedback control.



*Heat - Stir - Dose
Sample with Real-Time Peak Profile*

**PLEASE CONTACT
US FOR DETAILS:
1-800-843-1794**

CG-4904 REACTION VIAL

Screw cap vials are designed for heated sample reactions.



Product Highlights:

- Packaged in a clear PETG tray complete with a slide or lift off dust cover. Vials are separated by a SBS partition to eliminate glass to glass contact. Caps are supplied complete in the package, not attached. Entire package is recyclable.
- Vials are made from 33 expansion borosilicate glass which conforms to ASTM E-438 Type 1-Class A, USP Type 1 and ISO 3585. The high resistance to thermal shock along with its maximum chemical resistance makes this the choice for reaction vials along with most all laboratory glassware.
- Polypropylene caps have a septa bonded to the cap, using the Chemglass SURE-Link™ Process. The inert process bonds the Teflon Faced Silicone septa directly to the cap without adhesives, making the caps autoclavable and able to withstand multiple injections.
- Available with a choice of caps: green open top with SURE-Link™ or green solid top caps.



CG-4904



CG-4911

CG-4910

GREEN OPEN TOP WITH SURE-LINK SEPTA

Part Number	Description	Thread Finish	Pkg Qty	Pkg Price
CG-4904-05	Reaction Vial, 1 Dram, 15 x 45mm, Open Top	13-425	100	60.65▲
CG-4904-08	Reaction Vial, 2 Dram, 17 x 60mm, Open Top	15-425	100	66.10▲
CG-4904-01	Reaction Vial, 20mL, 28 x 57mm, Open Top	24-414	100	71.25▲

SOLID TOP WITH SURE-LINK SEPTA

Part Number	Description	Thread Finish	Pkg Qty	Pkg Price
CG-4904-06	Reaction Vial, 1 Dram, 15 x 45mm, Green Solid Top	13-425	100	53.05▲
CG-4904-09	Reaction Vial, 2 Dram, 17 x 60mm, Green Solid Top	15-425	100	60.65▲
CG-4904-03	Reaction Vial, 20mL, 28 x 57mm, White Solid Top	24-414	100	77.85▲

Replacement Caps Only:

Part Number	Description	Pkg Qty	Pkg Price
CG-4911-10	13-425 Solid Top Caps	100	39.00▲
CG-4911-12	15-425 Solid Top Caps	100	40.10▲
CG-4910-15	13-425 Open Top SURE-Link Caps	100	42.25▲
CG-4910-16	15-425 Open Top SURE-Link Caps	100	42.35▲

☒ For 20 mL caps see page 30

▲ - Subject to Vials and Containers Discount

Chemglass Life Sciences U.S. and Canada phone: 1-800-843-1794 • Fax: 1-800-922-4361 • customer-service@cglifesciences.com • www.cglifesciences.com



CG-4912 REACTION VIAL, PRESSURE RELIEF

Vials are perfect for use in heated reactions where internal pressure created by the reaction could exceed 150 psig.

Vials are ***Packed 100 per box.***

Product Highlights:

- Supplied complete with a special open top cap which prevents the pressure in the vial from exceeding 150 psig.
- Made from 33 expansion borosilicate glass which conforms to ASTM E-438 Type 1-Class A, USP Type 1 and ISO 3585. The high resistance to thermal shock along with its maximum chemical resistance makes this the glass of choice for reaction vials along with most all laboratory glassware.
- Packaged in a SBS coated white tray complete with SBS partition. Boxes are marked with alpha-numeric coordinates for fast and easy vial identification.



CG-4912

Part Number	Vial Capacity	Vial Dimensions	Thread Size	Pkg Price
CG-4912-01	1 Dram	15 x 45	13-425	80.45▲
CG-4912-02	2 Dram	17 x 60	15-425	87.40▲
CG-4912-05	20mL	28 x 57	24-414	94.40▲
CG-4912-06	40mL	28 x 95	24-414	125.20▲



CG-4900

CG-4900 VIAL, SAMPLE, CLEAR, TEFLON LINED CAP

Clear sample vials packaged in convenient LAB-PACS of 144 pieces. Made from Type I borosilicate glass. Full height partitions minimize breakage. Solid Teflon lined caps. Open top caps with septa are available under part number CG-4910.

Part Number	Vial Size OD x Height (mm)	Vial Capacity (mL)	Screw Thread Size	Pkg Price
CG-4900-01	15 x 45	4	13-425	121.55
CG-4900-02	17 x 60	8	15-425	128.70
CG-4900-03	21 x 70	16	18-400	139.45
CG-4900-04	28 x 57	20	24-400	204.90
CG-4900-05	28 x 70	30	24-400	210.80
CG-4900-06	28 x 95	40	24-400	228.70



CG-4905

CG-4905 VIAL, SAMPLE, AMBER, TEFLON LINED CAP

Amber sample vials packaged in convenient LAB-PACS of 144 pieces. Made from Type I borosilicate glass. Full height partitions minimize breakage. Solid Teflon lined caps. Open top caps with septa are available under part number CG-4910.

Part Number	Vial Size OD x Height (mm)	Vial Capacity (mL)	Screw Thread Size	Pkg Price
CG-4905-01	15 x 45	4	13-245	154.90
CG-4905-02	17 x 60	8	15-425	166.80
CG-4905-03	21 x 70	16	18-400	190.00
CG-4905-04	28 x 57	20	24-400	268.05
CG-4905-05	28 x 70	30	24-400	277.50
CG-4905-06	28 x 95	40	24-400	299.00

▲ - Subject to Vials and Containers Discount



CG-4908, CG-4909 VIAL, SOLID TOP, CELL PACK

For storage applications, these vials are packaged in a SBS coated white tray complete with SBS partition. Boxes are marked with alpha-numeric coordinates for fast and easy vial identification. Caps are supplied installed on the vials and all sizes have the TFE lined silicone SURE-LINK septa. The 4mL is a 1 dram, the 8mL is a 2 dram.

Part Number	Description	Pkg Price
CG-4908-04	Storage Vial, 4mL, 15 x 45mm, Green Solid Cap	56.50▲
CG-4908-05	Storage Vial, 8mL, 17 x 60mm, Green Solid Cap	61.55▲
CG-4908-03	Storage Vial, 20mL, 28 x 57mm, White Solid Cap	70.15▲
CG-4909-07	Storage Vial, 40mL, 28 x 95mm, White Solid Cap	102.00▲

Note: Vials are packed 100 per box.



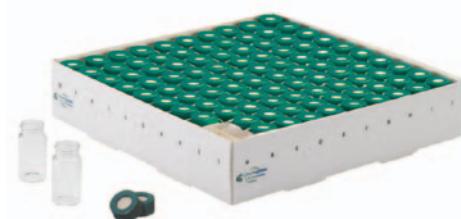
CG-4908, 9

CG-4908, CG-4909 VIAL, OPEN TOP WITH SEPTA, CELL PACK

For reaction or storage applications, these vials are packaged in a SBS coated white tray complete with SBS partition. Boxes are marked with alpha-numeric coordinates for fast and easy vial identification. Caps are supplied installed on the vials and all sizes have the TFE lined silicone SURE-LINK septa.

Part Number	Description	Pkg Price
CG-4909-04	Storage Vial, 4mL, 15 x 45mm, Green Open Top Cap	49.90▲
CG-4909-03	Storage Vial, 8mL, 17 x 60mm, Green Open Top Cap	56.50▲
CG-4908-01	Storage Vial, 20mL, 28 x 57mm, Green Open Top Cap	63.65▲
CG-4909-05	Storage Vial, 40mL, 28 x 95mm, Green Open Top Cap	96.40▲

Note: Vials are packed 100 per box.



CG-4908, 9

CG-4908-A VIAL, AMBER, SOLID TOP, CELL PACK

For storage applications, these vials are packaged in a SBS coated white tray complete with SBS partition. Boxes are marked with alpha-numeric coordinates for fast and easy vial identification. Caps are supplied installed on the vials and all sizes have the TFE lined silicone SURE-LINK septa. The 4mL is a 1 dram, the 8mL is a 2 dram.

Part Number	Description	Pkg Price
CG-4908-A-01	Storage Vial, 4mL, 15 x 45mm, Green Solid Cap	72.45▲
CG-4908-A-02	Storage Vial, 8mL, 17 x 60mm, Green Solid Cap	78.95▲
CG-4908-A-03	Storage Vial, 20mL, 28 x 57mm, White Solid Cap	88.20▲
CG-4908-A-04	Storage Vial, 40mL, 28 x 95mm, White Solid Cap	129.25▲

Note: Vials are packed 100 per box.



CG-4908-A

CG-4910, CG-4911 REPLACEMENT CAPS

Caps have a septa bonded to the cap, using the Chemglass SURE-LINK process. This inert process bonds the .125" Teflon Faced Silicone septa directly to the cap without adhesives, making the caps autoclavable and able to withstand multiple injections.

OPEN TOP WITH SURE-LINK SEPTA

Part Number	Description	Pkg Price
CG-4910-15	13-425 Open Top Cap, SURE-LINK Septa, PKG of 100	42.25▲
CG-4910-16	15-425 Open Top Cap, SURE-LINK Septa, PKG of 100	42.35▲
CG-4911-20	24-414 Open Top Cap, SURE-LINK Septa, PKG of 100	60.65▲



CG-4910

SOLID TOP WITH SURE-LINK SEPTA

Part Number	Description	Pkg Price
CG-4911-10	13-425 Solid Top Cap, SURE-LINK Septa, PKG of 100	39.00▲
CG-4911-12	15-425 Solid Top Cap, SURE-LINK Septa, PKG of 100	40.10▲
CG-4911-21	24-414 Solid Top Cap, SURE-LINK Septa, PKG of 100	60.65▲



CG-4911

▲ - Subject to Vials and Containers Discount



CG-4915 VIAL, CD™, SCREW CAP, HIGH RECOVERY

These CD™ vials have a unique Patented* conical interior bottom permits the contents to completely drain to the center bottom of the vial. Maximum extraction of the contents can be accomplished using a syringe or micropipette. Available complete with open top screw caps having a PTFE faced silicone septa or vials only. NOTE: Vials and caps are shipped together but NOT assembled. The 1.5 through 10mL have a bottom as shown in the photo, while the 20 through 60mL have a bottom as illustrated in the line art. (Patent Number D454,397S)

- AVAILABLE IN 1.5, 4.0, 5.0, 10.0, 20, 33, 40 and 60mL CAPACITIES
- LESS THAN 4uL OF DEAD VOLUME



CG-4915

Vials COMPLETE with Open Top Screw Cap and PTFE Septa:

Part Number	Vial Capacity (mL)	Screw Cap Size	Dimensions OD x Height (mm)	Pkg Qty	Pkg Price
CG-4915-01	1.5	9mm	12 x 32	100	126.90 †
CG-4915-02	1.9	13-425	13 x 44	100	191.45 †
CG-4915-03	4.4	13-425	15 x 51	100	172.20 †
CG-4915-04	5.6	15-425	17 x 51	100	184.30 †
CG-4915-05	11.3	18-400	21 x 61	100	211.90 †
CG-4915-06	21.7	24-414	28 x 67	100	161.65 †
CG-4915-08	38.2	24-414	28 x 103	100	223.55 †
CG-4915-09	59.5	24-414	28 x 143	100	258.96 †

Vials ONLY:

Part Number	Vial Capacity (mL)	Screw Cap Size	Dimensions OD x Height (mm)	Pkg Qty	Pkg Price
CG-4915-21	1.5	13-425	13 x 44	100	165.55 †
CG-4915-22	4.4	13-425	15 x 51	100	147.35 †
CG-4915-23	5.6	15-425	17 x 51	100	147.35 †
CG-4915-24	11.3	18-400	21 x 60	100	165.55 †
CG-4915-25	21.7	24-414	28 x 67	100	110.40 †
CG-4915-27	38.2	24-414	28 x 103	100	193.00 †
CG-4915-28	60.0	24-414	28 x 143	100	226.00 †

PLEASE NOTE: VIALS ARE AVAILABLE IN AMBER FOR LIGHT SENSITIVE MATERIALS. PLEASE CONTACT US FOR DETAILS.



CG-4910

CG-4910 SCREW CAP, OPEN TOP, WITH PTFE LINED SEPTA

Black open top polypropylene screw cap supplied with PTFE faced 0.060" silicone septa. Supplied in packages of 144.

Part Number	Screw Thread Size	Pkg Price
CG-4910-01	13-425	43.25
CG-4910-02	15-425	60.90
CG-4910-03	18-400	80.60
CG-4910-04	24-400	129.85

† - Subject to reusable glassware discount

CG-4916 VIAL, HIGH RECOVERY, BOROSILICATE

High recovery vial with a conical bottom for complete sample recovery. These vials are the same size or slightly smaller on the OD to allow them to be interchanged with any racks or blocks that accept standard dram or scintillation vials. Packed in an SBS coated white tray complete with SBS partition. Boxes are marked with alpha-numeric coordinates for fast and easy vial identification. Available complete with open top caps or vials only.

Vials ONLY:

Part Number	OD x Height (mm)	Capacity (mL)	Thread Size (GPI)	Pkg Qty	Pkg Price
CG-4916-01	15 x 45	3.7	13-425	100	143.30▲
CG-4916-02	17 x 60	7.3	15-425	100	189.25▲
CG-4916-03	19 x 70	11.4	15-425	100	201.30▲
CG-4916-04	28 x 57	19.2	22-400	100	206.80▲
CG-4916-05	28 x 67	23.7	22-400	100	221.50▲
CG-4916-06	28 x 95	33	24-400	100	257.10▲

Vials COMPLETE with OPEN Top Caps:

Part Number	OD x Height (mm)	Capacity (mL)	Thread Size (GPI)	Pkg Qty	Pkg Price
CG-4916-30	15 x 45	3.7	13-425	100	153.40▲
CG-4916-31	17 x 60	7.3	15-425	100	202.20▲
CG-4916-32	19 x 70	11.4	15-425	100	214.80▲
CG-4916-33	28 x 57	19.2	22-400	100	231.10▲
CG-4916-34	28 x 67	23.7	22-400	100	236.35▲
CG-4916-35	28 x 95	33	24-400	100	274.30▲



CG-4916

Now You Can Browse & Research Our Products On-line!



View our
complete catalog
of over
8,000 products!

*See your customized
discount levels
right on-line!*

- User friendly and secure ordering forms
- Convenient shopping hours (Yours!)
- Full color photos and detailed diagrams

www.cglifesciences.com



CHEMGLASS LIFE SCIENCES
3800 North Mill Road • Vineland NJ 08360
U.S. and Canada phone: 1-800-843-1794 • Fax: 1-800-922-4361
customer-service@cglifesciences.com • www.cglifesciences.com